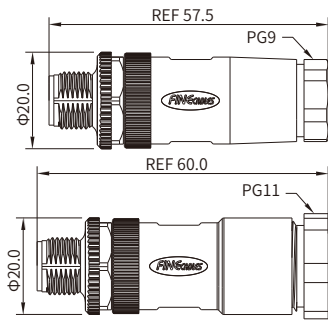


M12 T-coding (Power DC)

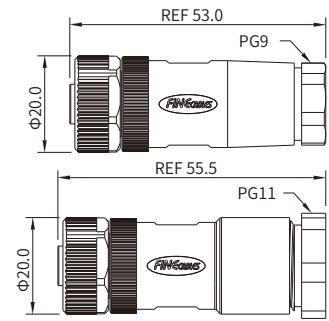


M12 T-coding Straight Connector, Field Wireable Assembly, Screw joint

Male



Female



Specifications

Contacts	2	3	4
Pin layout(Male)			
Pin layout(Female)			
Standard	IEC 61076-2-111		
Ambient temperature	-25°C~+90°C		
Connector insert	PA		
Connector contacts	Brass with gold plated		
Connector body	PA+GF		
Coupling nut/screw	Zinc alloy with nickel plated		
Seal/O-ring	FKM		
Insulation resistance	≥100MΩ		
Contact resistance	≤5mΩ		
Shielding	Unavailable		
Suitable cable Dia	PG9: 6~8mm / PG11: 8~10mm		
IP rating	IP67, IP68 in locked condition		
Mating endurance	>500 cycles		
Rated current	12 A(40°C)		
Rated voltage	63V AC/DC		
Wire gauge	1.5mm ² (AWG16)		

Part Number

Pins	Male		Female	
	PG9	PG11	PG9	PG11
2	MB12MWTfHD02ST	/	MB12FWTFHD02ST	/
3	MB12MWTfHD03ST	/	MB12FWTFHD03ST	/
4	/	MB12MWTfHD04ST	/	MB12FWTFHD04ST

Assembly Instruction

